



NORMA TORRO® Non-Perforated Worm-Drive Hose Clamps

Setting the industry standard for performance, our TORRO worm-drive hose clamps are easily recognized by their unique asymmetrical design. Delivering superior tensile strength and high-fracture torque, this clamp is ideal for applications with a high mechanical load.



Strong & Reliable

- 3-piece construction with precision fit and finish
- 100% stainless steel 304 construction for superior corrosion resistance

Smoother Worm-Drive Action

- Non-perforated design won't damage soft tubing



**NEW 10 PACKS
NOW AVAILABLE**



MADE IN THE
USA



NORMA TORRO®

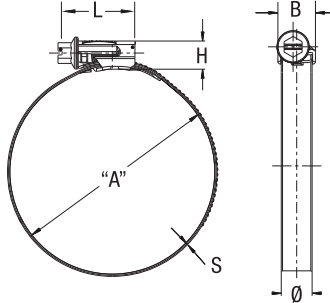
Non-Perforated Worm-Drive Hose Clamps

9mm Bandwidth

8mm – 130mm Diameter range

Competitive Advantages

- | All stainless steel design, type 304
- | 3-piece construction for strength and stability
- | Smooth or stamped inside of band protection



Applications



Passenger Vehicle

- Fuel
- Air
- Fluids
- Retaining



Commercial Vehicle

- Fuel
- Air
- Fluids



Industrial

- MRO
- Irrigation/Arg.
- Aviation
- Marine



Residential

- Plumbing
- HVAC
- General Auto
- Appliances

Bandwidth (Ø)		B	H	L	S	TORRO (W4)	inches		mm (A)	
inches	mm						mm	mm	mm	min
3/8	9	13	11	21	0.65	0126 6704 010	5/16	1/2	8	12
3/8	9	13	11	21	0.65	0126 6704 013	5/16	5/8	8	16
3/8	9	13	11	24	0.65	0126 6704 017	1/2	7/8	12	22
3/8	9	13	11	24	0.65	0126 6704 021	5/8	1-1/16	16	27
3/8	9	13	11	24	0.65	0126 6704 026	13/16	1-1/4	20	32
3/8	9	13	11	24	0.65	0126 6704 029	15/16	1-3/8	23	35
3/8	9	13	11	26	0.65	0126 6704 032	1	1-9/16	25	40
3/8	9	13	11	26	0.65	0126 6704 037	1-3/16	1-3/4	30	45
3/8	9	13	11	26	0.65	0126 6704 041	1-3/8	2	32	50
3/8	9	13	11	26	0.65	0126 6704 050	1-9/16	2-3/8	40	60
3/8	9	13	11	26	0.65	0126 6704 060	2	2-3/4	50	70
3/8	9	13	11	26	0.65	0126 6704 070	2-3/8	3-1/8	60	80
3/8	9	13	11	26	0.65	0126 6704 080	2-3/4	3-9/16	70	90
3/8	9	13	11	26	0.65	0126 6704 090	3-1/8	3-15/16	80	100
3/8	9	13	11	26	0.65	0126 6704 100	3-9/16	4-5/16	90	110
3/8	9	13	11	26	0.65	0126 6704 110	3-15/16	4-3/4	100	120
3/8	9	13	11	26	0.65	0126 6704 120	4-5/16	5-1/8	110	130
3/8	9	13	11	26	0.65	0126 6704 130	4-3/4	5-1/2	120	140
3/8	9	13	11	26	0.65	0126 6704 140	5-1/8	5-15/16	130	150

NORMA Americas Distribution Services

325 West Silverbell Road, Suite 230 | Lake Orion, MI 48359 USA

Tel 1.855.NORMA2U | 1.855.667.6228 | Fax 1.855.804.4646 | Email norma2u@normagroup.com | www.normaAmericasDS.com



2-2B-6-170831-US-1001