

BREEZE HD Spring-Loaded T-Bolt

A constant-tension clamp with a spring designed for a variety of automotive, industrial, and marine applications.



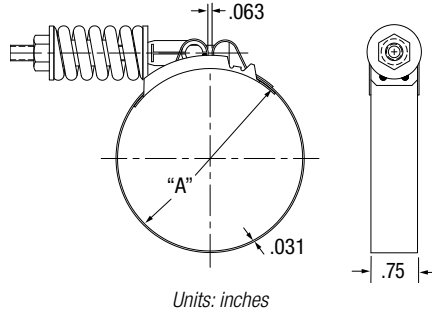
3/4" Band Width | Floating Bridge | Heavy-Duty Spring | SAE Standard J1508 Type SLTB | Diameter Range 2-1/16" – 8-5/8"

B9224 HD SPRING-LOADED T-BOLT

3/4" Band in 300-Series SS

1/4"- 28 Plated Bolt

Heavy-Duty Spring for Constant-Tension



SAE	B9224 HD SPRING-LOADED T-BOLT		inches (A)		mm	
	Brand PN	Global PN	min	max	min	max
38	B9224-0206 B	0363 0004 056	2-1/16	2-3/8	52	60
40	B9224-0213 B	0363 0004 058	2-1/8	2-7/16	54	62
42	B9224-0219 B	0363 0004 060	2-3/16	2-1/2	56	64
44	B9224-0225 B	0363 0004 061	2-1/4	2-9/16	57	65
46	B9224-0231 B	0363 0004 063	2-5/16	2-5/8	59	67
48	B9224-0238 B	0363 0004 064	2-3/8	2-11/16	60	68
50	B9224-0244 B	0363 0004 066	2-7/16	2-3/4	62	70
52	B9224-0250 B	0363 0004 068	2-1/2	2-13/16	64	71
54	B9224-0256 B	0363 0004 069	2-9/16	2-7/8	65	73
56	B9224-0263 B	0363 0004 071	2-5/8	2-15/16	67	75
58	B9224-0269 B	0363 0004 072	2-11/16	3	68	76
60	B9224-0275 B	0363 0004 074	2-3/4	3-1/16	70	78
62	B9224-0281 B	0363 0004 075	2-13/16	3-1/8	71	79
68	B9224-0300 B	0363 0004 080	3	3-5/16	76	84
70	B9224-0306	0363 0004 082	3-1/16	3-3/8	78	86
72	B9224-0313	0363 0004 084	3-1/8	3-7/16	79	87
74	B9224-0319 B	0363 0004 085	3-3/16	3-1/2	81	89
76	B9224-0325 B	0363 0003 083	3-1/4	3-9/16	83	90
78	B9224-0331 B	0363 0004 088	3-5/16	3-5/8	84	92
80	B9224-0338	0363 0004 090	3-3/8	3-11/16	86	94
82	B9224-0344	0363 0204 091	3-7/16	3-3/4	87	95
84	B9224-0350 B	0363 0004 093	3-1/2	3-13/16	89	97
86	B9224-0356	0363 0004 094	3-9/16	3-7/8	90	98
88	B9224-0363	0363 0004 096	3-5/8	3-15/16	92	100
90	B9224-0369 B	0363 0004 098	3-11/16	4	94	102

SAE	B9224 HD SPRING-LOADED T-BOLT		inches (A)		mm	
	Brand PN	Global PN	min	max	min	max
92	B9224-0375 B	0363 0004 099	3-3/4	4-1/16	95	103
94	B9224-0381 B	0375 0000 097	3-13/16	4-1/8	97	105
96	B9224-0388	0363 0004 103	3-7/8	4-3/16	98	106
102	B9224-0406	0363 0004 107	4-1/16	4-3/8	103	111
104	B9224-0413	0363 0004 109	4-1/8	4-7/16	105	113
106	B9224-0419 B	0363 0004 110	4-3/16	4-1/2	106	114
108	B9224-0425 B	0363 0004 112	4-1/4	4-9/16	108	116
110	B9224-0431 B	0363 0004 113	4-5/16	4-5/8	110	117
112	B9224-0438	0363 0004 115	4-3/8	4-11/16	111	119
116	B9224-0450 B	0363 0004 118	4-1/2	4-13/16	114	122
118	B9224-0456	0363 0004 120	4-9/16	4-7/8	116	124
128	B9224-0488 B	0363 0004 128	4-7/8	5-3/16	124	132
132	B9224-0500 B	0363 0004 131	5	5-5/16	127	135
140	B9224-0525 B	0363 0004 137	5-1/4	5-9/16	133	141
142	B9224-0531 B	0363 0000 135	5-5/16	5-5/8	135	143
144	B9224-0538 B	0363 0004 141	5-3/8	5-11/16	137	144
158	B9224-0581 B	0363 0000 148	5-13/16	6-1/8	148	156
164	B9224-0600 B	0363 0004 156	6	6-5/16	152	160
172	B9224-0625	0363 0004 163	6-1/4	6-9/16	159	167
174	B9224-0631 B	0363 0000 160	6-5/16	6-5/8	160	168
176	B9224-0638	0363 0004 166	6-3/8	6-11/16	162	170
204	B9224-0725 B	0363 0004 188	7-1/4	7-9/16	184	192
206	B9224-0731 B	0363 0000 186	7-5/16	7-5/8	186	194
212	B9224-0750 B	0363 0004 195	7-1/2	7-13/16	191	198
238	B9224-0831 B	0363 0000 211	8-5/16	8-5/8	211	219

Note: SAE sizes 66 and smaller have a bent bolt.